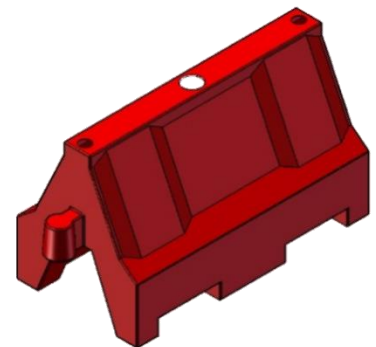
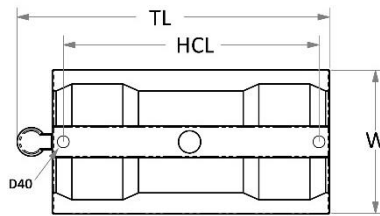
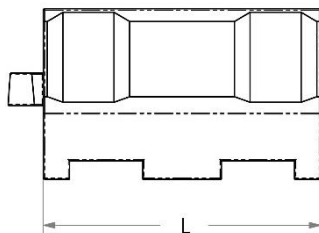
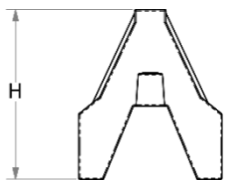


# Traffic Separators

Rugged water filled barrier for traffic and pedestrian delineation.

	EVO 1M	EVO 1.5M
PRODUCT CODE	011056	011081
WL	1000MM	1500MM
W	400MM	400MM
H	555MM	555MM
TL	1100MM	1600MM
HCL	960MM	1450
WEIGHT E / F (KG)	6.3/26.3	10/30
PER PALLET PER	24	24
FULL LOAD	S:576 M:650	S:384 M:432
MATERIAL COLOUR	UVMDPE RED/ WHITE	UVMDPE RED/ WHITE



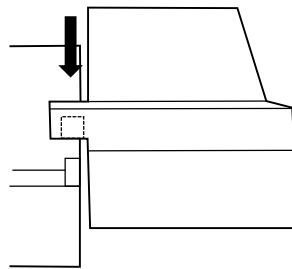
# Traffic Separators

## EVO BARRIERS EVO ANGLE

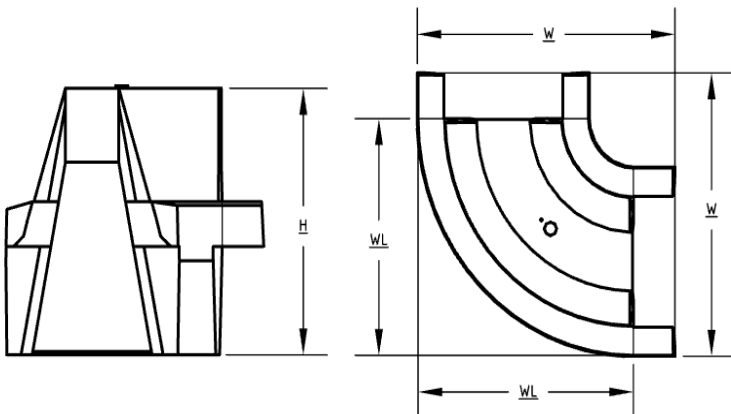
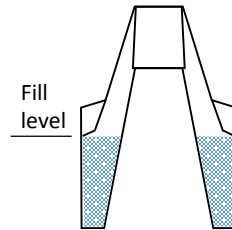
PRODUCT CODE 011555  
WL 430MM  
W 580MM  
H 555MM  
WEIGHT E / F (KG) 4.5 / 18.5 KG  
PER PALLET 15  
MATERIAL COLOUR UVMDPE  
RED / WHITE



Align corner pocket over  
Barrier lugs to assemble



Fill both sides to  
pocket underside



# Traffic Separators

## MINI MESH PANELS

### EVO 1M

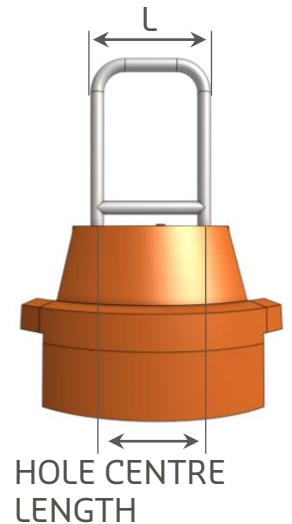
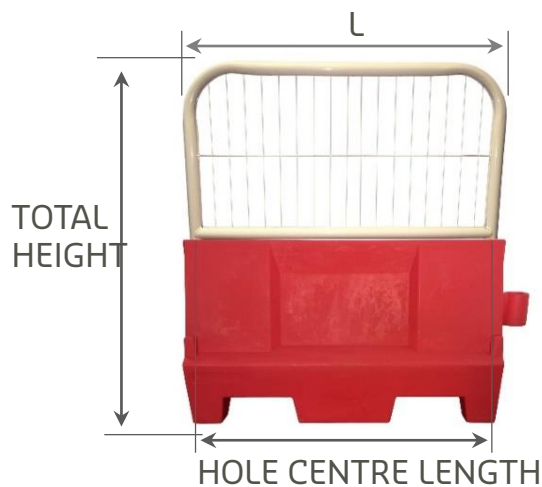
### EVO 1.5M

### EVO CORNER

	EVO 1M	EVO 1.5M	EVO CORNER
PRODUCT CODE L	1EMM	1.5RBM	
W	960MM	1450MM	380MM
TH	40MM	40MM	40MM
HCL	1080MM	1080MM	1080MM
WEIGHT E / F	920MM	1365MM	340
(KG) PER PALLET	4.1KG	6.2 KG	2KG
PER FULL LOAD	50	50	100
MATERIAL	S:576 M:600 B&M:400	S:384 M:432 B&M:255	-
COLOUR	STEEL POWDER COAT WHITE	STEEL POWDER COAT WHITE	STEEL POWDER COAT WHITE

#### ASSEMBLY PROCESS:

1. INTERLOCK ADJACENT BARRIERS
2. ADD WATER TO FILL LEVEL AND REPLACE CAP
3. INSERT MESH PANEL LEGS INTO HOLES IN 1 BARRIER, 1 1 END AT A TIME AS SHOWN >>>
4. ADD MESH BETWEEN MESH PANEL UPRIGHTS AS REQUIRED



## SCOTLAND & NORTH REGION

### Dundee

6 George Buckman Drive,  
Dundee, DD2 3SP  
Tel: 01382 227 552  
dundee.hire@actavo.com

### Edinburgh

Unit 2, West Harbour Road,  
Granton, Edinburgh, EH5 1PP  
Tel: 0131 552 7534  
edinburgh.hire@actavo.com

### Gateshead

Nest Road, Felling Industrial Estate,  
Gateshead, Tyne & Wear, NE10 0LU  
Tel: 0191 469 8125  
gateshead.hire@actavo.com

### Glasgow

2300 London Road,  
Glasgow, G32 8YU  
Tel: 0141 810 8350  
glasgow.hire@actavo.com

### Manchester

Tennax Road, Trafford Park,  
Manchester, M17 1JT  
Tel: 0161 969 3925  
manchester.hire@actavo.com

## CENTRAL REGION

### Brigg

Island Carr Industrial Estate,  
Island Carr Road, Brigg,  
North Lincolnshire, DN20 8PD  
Tel: 01652 601 390  
brigg.hire@actavo.com

### King's Lynn

23 Maple Road,  
Saddlebow Industrial Estate,  
King's Lynn, Norfolk, PE34 3AH  
Tel: 01553 771 465  
kingslynn.hire@actavo.com

### Leeds

Unit 7, Hawthorne Court,  
Howley Park Road, Morley,  
Leeds, LS27 0BN  
Tel: 0113 387 0630  
leeds.hire@actavo.com

### Norwich

Arminghall Close, Woodcock Road,  
Norwich, NR3 3UE  
Tel: 01603 309 010  
norwich.hire@actavo.com

### Nottingham

Manor House Road, Long Eaton  
Nottingham, NG10 1LR  
Tel: 0115 946 7660  
nottingham.hire@actavo.com

### Peterborough

Unit 5, Fengate Trade Park,  
Second Drive, Peterborough,  
Cambridgeshire, PE1 5XA  
Tel: 01733 890 009  
peterborough.hire@actavo.com

### South Yorkshire

Unit 14, Meadow Bank Works,  
Meadow Bank Road, Rotherham,  
South Yorkshire, S61 2NF  
Tel: 01709 554 149  
southyorkshire.hire@actavo.com

## SOUTH EAST REGION

### Chelmsford

Unit 14, Temple Wood Industrial  
Estate, Stock Road, Chelmsford,  
CM2 8LA  
Tel: 01277 841 670  
chelmsford.hire@actavo.com

### East London - Bow

Unit 3, Primrose Works,  
10 Stour Road, Bow, London,  
E3 2NT  
Tel: 020 8533 7333  
bow.hire@actavo.com

### South London - Thornton Heath

Station Yard, 56 Brigstock Road,  
Thornton Heath, Surrey, CR7 8RX  
Tel: 020 8689 6044  
croydon.hire@actavo.com

### Luton

227-231 Selbourne Road,  
Luton, Bedfordshire, LU4 8NR  
Tel: 01582 491 000  
luton.hire@actavo.com

### Maidstone

Unit 4, St Michaels Close,  
Aylesford, ME20 7XE  
Tel: 01622 794 450  
kent.hire@actavo.com

### West London - Uxbridge

Wallingford Road, Uxbridge,  
Middlesex, UB8 2XS  
Tel: 01895 527 666  
uxbridge.hire@actavo.com

## SOUTH WEST REGION

### Birmingham

319 Shady Lane, Great Barr  
Birmingham, B44 9EA  
Tel: 0121 366 7840  
birmingham.hire@actavo.com

### Bournemouth

Unit 158, Eastern Business Park,  
Bournemouth International Airport,  
Christchurch, Dorset, BH23 6NE  
Tel: 01202 591 255  
bournemouth.hire@actavo.com

### Bristol

Silverthorne Lane, St. Philips,  
Bristol, Avon, BS2 0QD  
Tel: 0117 972 3353  
bristol.hire@actavo.com

### Cardiff

Longships Road, Cardiff Docks  
CF10 4RP  
Tel: 029 2079 1188  
cardiff.hire@actavo.com

### Chichester

Units A & B, Tokar Industrial Estate,  
Yapton Lane, Walberton,  
West Sussex, BN18 0AS  
Tel: 01243 558 290  
chichester.hire@actavo.com

### Truro

Perranwell Station,  
Perranwell, Near Truro,  
Cornwall, TR3 7LG  
Tel: 01872 870 078  
truro.hire@actavo.com

## SHORING

### Birmingham

319 Shady Lane, Great Barr  
Birmingham, B44 9EA  
Tel: 0121 366 7840  
birmingham.shoring@actavo.com

### Manchester

Tennax Road, Trafford Park,  
Manchester, M17 1JT  
Tel: 0161 969 3925  
manchester.shoring@actavo.com

### Northampton

21-22 Enterprise Road, Raunds  
Northampton, NN9 6JE  
Tel: 01933 462 190  
raunds.shoring@actavo.com

### West London - Uxbridge

Wallingford Road, Uxbridge,  
Middlesex, UB8 2XS  
Tel: 01895 527 675  
uxbridge.shoring@actavo.com

## IRELAND

### Cork

Silver Bullet Industrial Estate,  
Glanmire, Co. Cork, Ireland  
Tel: +353 21 486 6400  
cork.hire@actavo.com

### Dublin

Killeen Road, Dublin,  
Co. Dublin, Ireland  
Tel: +353 1 601 1500  
dublin.hire@actavo.com

### Galway

Airglooney Industrial Estate,  
Tuam, Co. Galway, Ireland  
Tel: +353 93 60470  
galway.hire@actavo.com

### Santry

Turnapin Lane, Old Swords Road,  
Cloghran, Co. Dublin, Ireland  
Tel: 01 901 8690  
dublin.hire@actavo.com



### Hire & Sales Solutions

Unit C, Cedar Court Office Park, Denby Dale Road, Calder  
Grove, Wakefield, West Yorkshire, WF4 3FU  
Tel: +44 (0)1924 416000 | Fax: +44 (0)1924 366250  
Email: [quoteme@actavo.com](mailto:quoteme@actavo.com)