



MASS Barriers User Guide

www.actavo.com

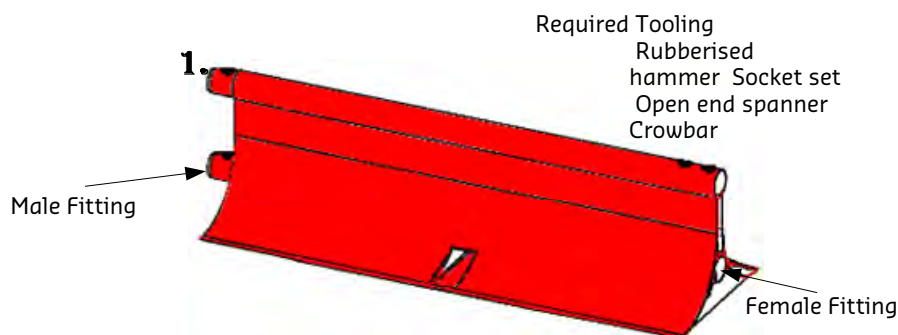


Application of the Multi Application Safety System (MASS)

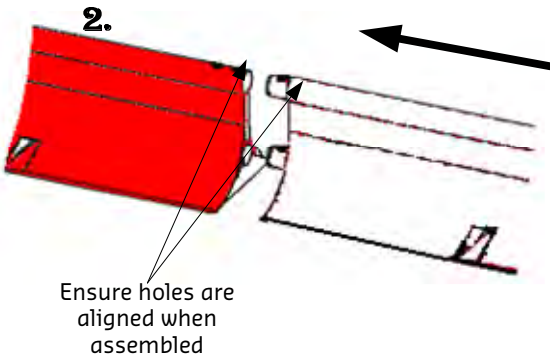
The MASS base unit consists of a welded steel base unit hot dip zinc galvanised and powder coated, each unit weighing approx 60 kgs 150cm X 50cm wide X 42cm high.

When installing the MASS barrier it is recommended the surface be as flat and even as possible. This will aid the assembly of base units and top sections.

All metal parts are Zinc galvanised to maximise working life of the system. The MASS barrier is tested for vehicle containment under BS EN 1317-2:1998 unlike cones, plank systems and water filled barriers. The MASS barrier uses the weight of the vehicle to restrict the deflection of an impact.

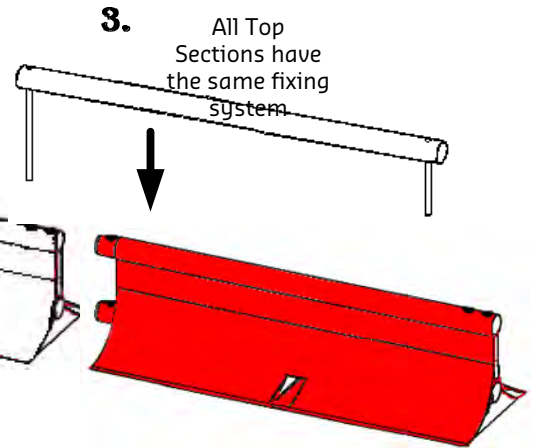


MASS Barriers

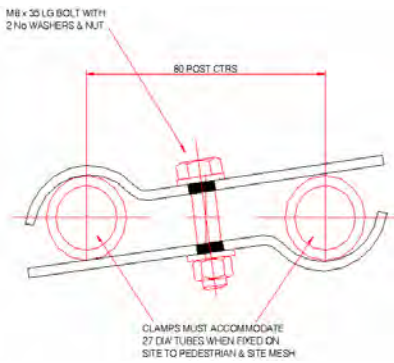


Push units together to assemble

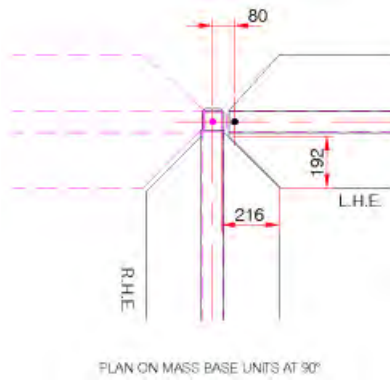
To ensure ultimate manoeuvrability assemble four units at any time.



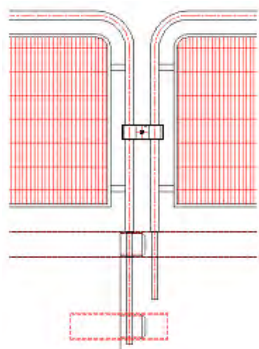
5. The Clamping System



4. Corner Base units



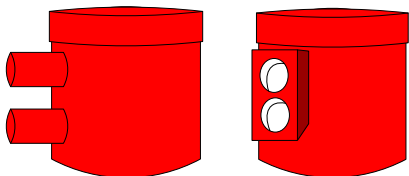
Designed to allow the system to be assembled through 180 degrees. When a project requires corner units it is recommended to start the installation in the corner and work outwards.



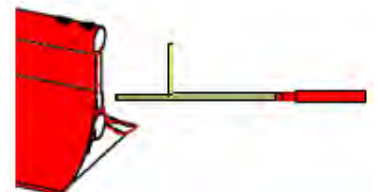
6. Top sections available 4.5kg



7. Buffer Ends Cylindrical Buffer ends act as crash cushions and at the same time put a tidy finishing touch to the system



8. Asset International have developed a bespoke manual handling device to help with the installation. Simple and easy to use one man each end of the unit can easily lift and carry to the required position



SCOTLAND & NORTH REGION

Dundee

6 George Buckman Drive,
Dundee, DD2 3SP
Tel: 01382 227 552
dundee.hire@actavo.com

Edinburgh

Unit 2, West Harbour Road,
Granton, Edinburgh, EH5 1PP
Tel: 0131 552 7534
edinburgh.hire@actavo.com

Gateshead

Nest Road, Felling Industrial Estate,
Gateshead, Tyne & Wear, NE10 0LU
Tel: 0191 469 8125
gateshead.hire@actavo.com

Glasgow

37 Colquhoun Avenue,
Hillington Industrial Estate,
Glasgow, G52 4PL
Tel: 0141 810 8350
glasgow.hire@actavo.com

Manchester

Elm Grove, Sale, Cheshire,
M33 7JY
Tel: 0161 969 3925
manchester.hire@actavo.com

Teesside

Brenda Road, Hartlepool, TS25 2BT
Tel: 01429 261 444
teesside.hire@actavo.com

CENTRAL REGION

Brigg

Island Carr Industrial Estate,
Island Carr Road, Brigg,
North Lincolnshire, DN20 8PD
Tel: 01652 601 390
brigg.hire@actavo.com

King's Lynn

23 Maple Road,
Saddlebow Industrial Estate,
King's Lynn, Norfolk, PE34 3AH
Tel: 01553 771 465
kingslynn.hire@actavo.com

Leeds

Unit 7, Hawthorne Court,
Howley Park Road, Morley,
Leeds, LS27 0BN
Tel: 0113 387 0630
leeds.hire@actavo.com

Norwich

Arminghall Close, Woodcock Road,
Norwich, NR3 3UE
Tel: 01603 309 010
norwich.hire@actavo.com

Nottingham

Manor House Road, Long Eaton
Nottingham, NG10 1LR
Tel: 0115 946 7660
nottingham.hire@actavo.com

Peterborough

Unit 5, Fengate Trade Park,
Second Drive, Peterborough,
Cambridgeshire, PE1 5XA
Tel: 01733 890 009
peterborough.hire@actavo.com

South Yorkshire

Unit 14, Meadow Bank Works,
Meadow Bank Road, Rotherham,
South Yorkshire, S61 2NF
Tel: 01709 554 149
southyorkshire.hire@actavo.com

SOUTH EAST REGION

Chelmsford

Unit 14, Temple Wood Industrial
Estate, Stock Road, Chelmsford,
CM2 8LA
Tel: 01277 841 670
chelmsford.hire@actavo.com

East London - Bow

Unit 3, Primrose Works,
10 Stour Road, Bow, London,
E3 2NT
Tel: 020 8533 7333
bow.hire@actavo.com

South London - Thornton Heath

Station Yard, 56 Brigstock Road,
Thornton Heath, Surrey, CR7 8RX
Tel: 020 8689 6044
croydon.hire@actavo.com

Luton

227-231 Selbourne Road,
Luton, Bedfordshire, LU4 8NR
Tel: 01582 491 000
luton.hire@actavo.com

Maidstone

Unit 4, St Michaels Close,
Aylesford, ME20 7XE
Tel: 01622 794 450
kent.hire@actavo.com

West London - Uxbridge

Wallingford Road, Uxbridge,
Middlesex, UB8 2XS
Tel: 01895 527 666
uxbridge.hire@actavo.com

SOUTH WEST REGION

Birmingham

319 Shady Lane, Great Barr
Birmingham, B44 9EA
Tel: 0121 366 7840
birmingham.hire@actavo.com

Bournemouth

Unit 158, Eastern Business Park,
Bournemouth International Airport,
Christchurch, Dorset, BH23 6NE
Tel: 01202 591 255
bournemouth.hire@actavo.com

Bristol

Silverthorne Lane, St. Philips,
Bristol, Avon, BS2 0QD
Tel: 0117 972 3353
bristol.hire@actavo.com

Cardiff

Longships Road, Cardiff Docks
CF10 4RP
Tel: 029 2079 1188
cardiff.hire@actavo.com

Chichester

Units A & B, Tokar Industrial Estate,
Yapton Lane, Walberton,
West Sussex, BN18 0AS
Tel: 01243 558 290
chichester.hire@actavo.com

Exeter

Cofton Road, Marsh Barton,
Exeter, Devon, EX2 8QW
Tel: 01392 273 595
exeter.hire@actavo.com

Truro

Perranwell Station,
Perranwell, Near Truro,
Cornwall, TR3 7LG
Tel: 01872 870 078
truro.hire@actavo.com

SHORING

Birmingham

319 Shady Lane, Great Barr
Birmingham, B44 9EA
Tel: 0121 366 7840
birmingham.shoring@actavo.com

Northampton

21-22 Enterprise Road, Raunds
Northampton, NN9 6JE
Tel: 01933 462 190
raunds.shoring@actavo.com

West London - Uxbridge

Wallingford Road, Uxbridge,
Middlesex, UB8 2XS
Tel: 01895 527 675
uxbridge.shoring@actavo.com

IRELAND

Cork

Silver Bullet Industrial Estate,
Glanmire, Co. Cork, Ireland
Tel: +353 21 486 6400
cork.hire@actavo.com

Dublin

Killeen Road, Dublin,
Co. Dublin, Ireland
Tel: +353 1 601 1500
dublin.hire@actavo.com

Galway

Airglooney Industrial Estate,
Tuam, Co. Galway, Ireland
Tel: +353 93 60470
galway.hire@actavo.com

Santry

Turnapin Lane, Old Swords Road,
Cloghran, Co. Dublin, Ireland
Tel: 01 901 8690
dublin.hire@actavo.com



Hire & Sales Solutions

Unit C, Cedar Court Office Park, Denby Dale Road, Calder Grove,
Wakefield, West Yorkshire, WF4 3QZ
Tel: +44 (0)1924 416000 | Fax: +44 (0)1924 366250
Email: quoteme@actavo.com